

QLA-200000-230000-22-72

200~230GHz, 22dB, 7.2dB

Features:
 * Broad Band
 * Low Noise

Applications:
 * Wireless
 * Receiver
 * Laboratory Test
 * Radar

Electrical

Frequency:	200~230GHz
Small Singal Gain:	22dB min.
Gain Fatness:	±3dB
Noise Figure:	7.2dB max.
Input VSWR:	2 typ.
Output VSWR:	2.5 typ.
Voltage:	+5V DC (+5V min., +8V max.)
Current:	40mA typ.
Impedance:	50Ω
Input Power:	10dBm max.

Mechanical

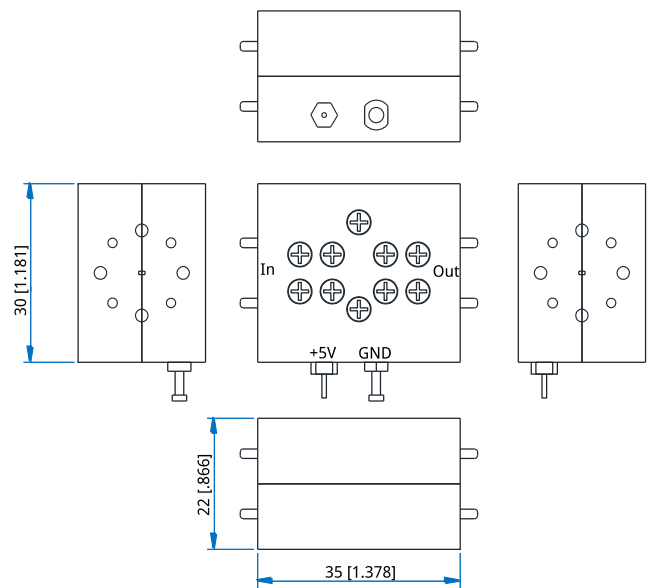
Size*1:	35*30*22mm 1.378*1.181*0.866in
RF Interface:	WR-4
Power Supply Connectors:	Feed Through/Terminal Post

[1] Exclude connectors.

Environmental

Operating Temperature:	10~+40°C
Non-operating Temperature:	0~+50°C

Outline Drawings



Unit: mm [in]
 Tolerance: ±0.2mm [±0.008in]

How To Order

[QLA-200000-230000-22-72](#)

Customization is available upon request.